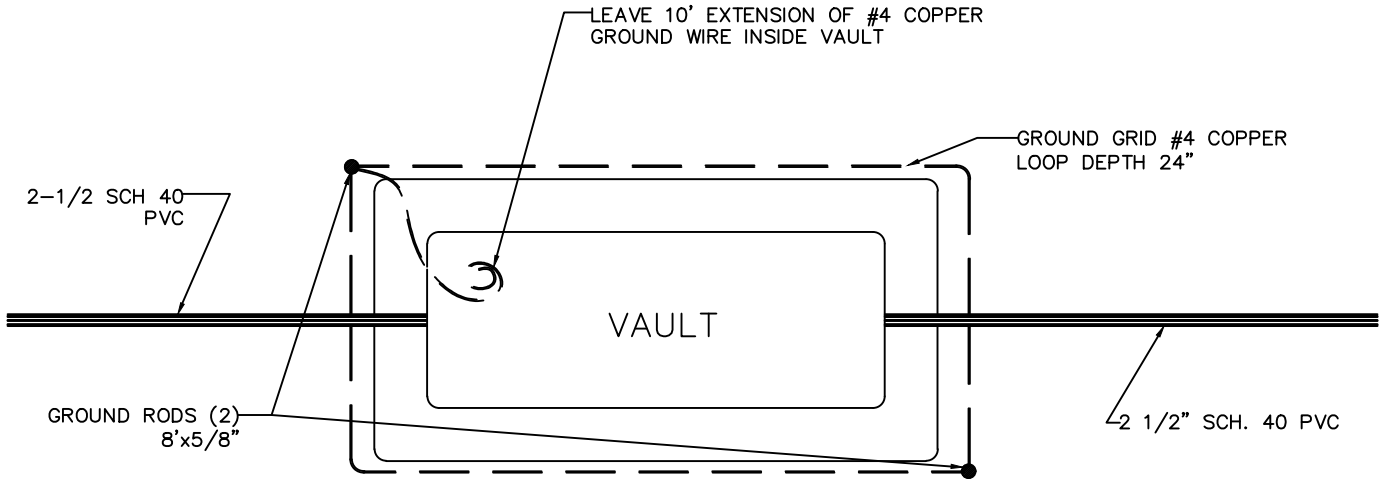
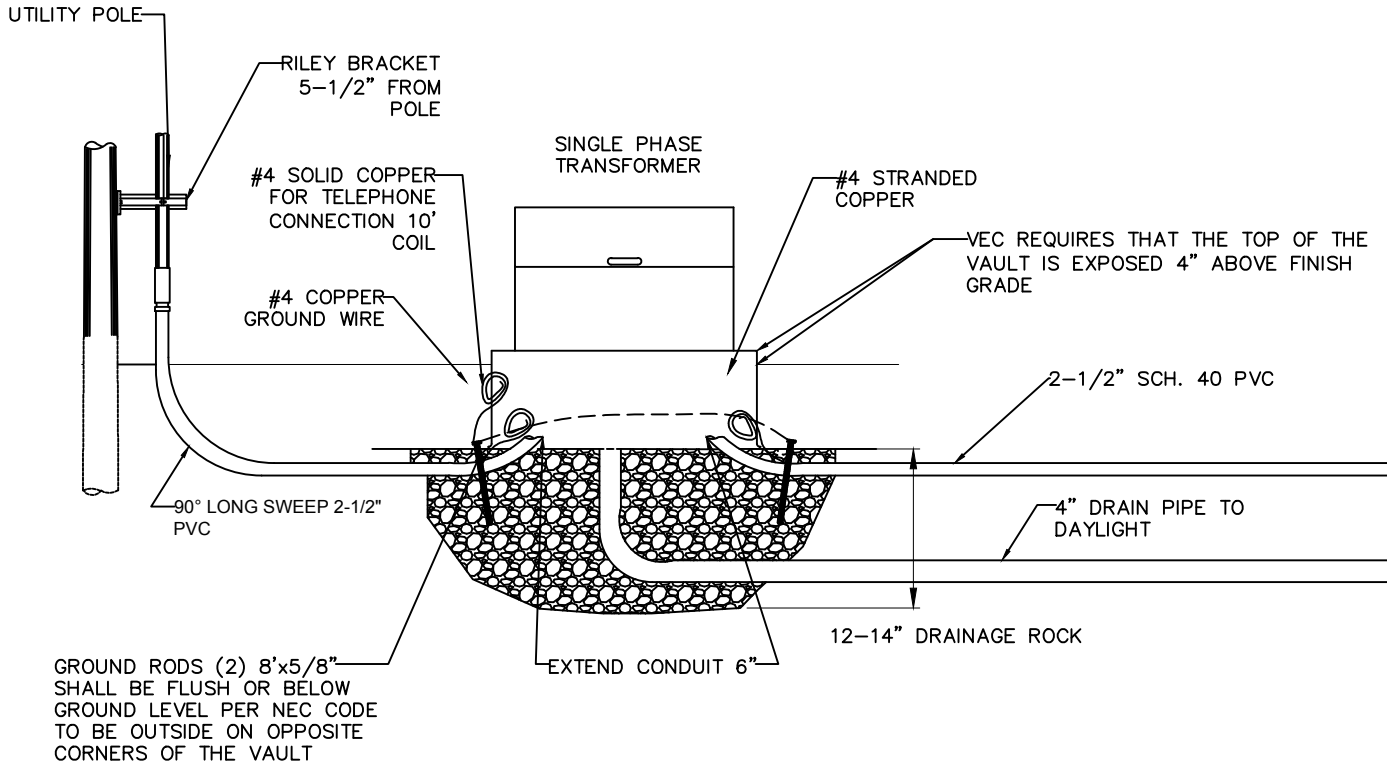


PRIMARY UNDERGROUND SYSTEM



OVERHEAD VIEW (AERIAL)

ELEVATION VIEW (HORIZONTAL)



REV	DATE	REVISION DESCRIPTION	DRN	CKD



VERMONT ELECTRIC CO-OP
energy smart today

DES: RJP | DRN: RJP
CKD: | SCALE: NONE
DATE: 07/10/2017

VERMONT ELECTRIC COOPERATIVE INC.
JOHNSON, VT

PRIMARY UNDERGROUND SYSTEM

DWG. NO. 702

REV 1